

INSTALLATION INSTRUCTIONS
SHAKER/MODERN STUDIO SERIES
GLASS DOOR INSERTS

READ INSTRUCTIONS CAREFULLY BEFORE INSTALLING UNIT
AND SAVE FOR FUTURE REFERENCE

Record Model Size Number _____

SAFETY TIPS AND PRECAUTIONS

IMPORTANT: THIS ENCLOSURE IS SHIPPED WITH GLASS DOORS AND SCREENS ALREADY ASSEMBLED. PLACE ENCLOSURE FACE UP ON RUG OR OTHER SOFT SURFACE. REMOVE GLASS DOORS AND SCREEN BEFORE INSTALLING.

- | | | |
|---|---|---|
| <p>1. CAUTION: Consult local building and fire officials for local restrictions or codes. Have your fireplace and chimney cleaned and inspected for cracking or deterioration.</p> <p>2. FLAMMABLE MATERIALS TO AVOID:
Never use highly flammable materials such as gasoline, solvent, paint thinner, plastic or wrapping paper in the fireplace. These can quickly burn out of control generating extremely high temperature which can shatter glass and cause other damage.</p> | <p>3. AVOID EXCESSIVE HEAT BUILD-UP: Leave glass enclosure open with Back-up Screen closed while enjoying the fire. Temperatures in excess of 400°F (not usually reached in normal fireplace use) will cause temper loss in the glass and other damage such as permanent discoloration of metal finish. At night close mesh and glass doors to save on heat loss from the room through the chimney.</p> <p>4. AVOID THERMAL SHOCK: Do not clean or allow water on windows while they are hot since this may cause glass to shatter.</p> | <p>5. CAUTION: Do not use your unit with a heat exchanger attached. Do not install units back to back or use in any installations where temperatures will exceed 400°F.</p> <p>6. MESH DOORS must be closed when burning fire.</p> <p>7. FIRE MUST be built at least 6" from the glass.</p> <p>CAUTION:
DO NOT LEAVE THE FIRE UNATTENDED WITH THE MESH DOORS OPEN.</p> |
|---|---|---|

PREPARING FOR INSTALLATION:

CORRECTING "ACID HEARTH:" Green mortar and the acid used by the mason to clean the masonry will corrode steel. If you suspect that there is still acid on the hearth, please take steps to correct the situation. To correct acid hearth on newly built masonry facing, wash entire hearth with a strong solution of baking soda or ammonia, then rinse with clear water and allow to thoroughly dry.

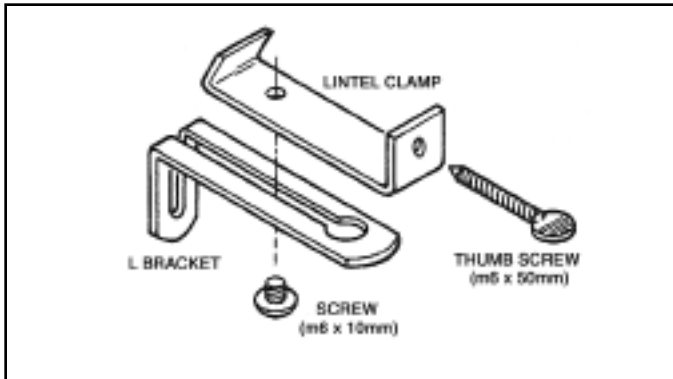
1. **CHECK CONTENTS OF CARTON.** Save all packing materials until your glass door insert is fully installed.
2. **CONTENT LIST:** Frame Assembly, Gate Type Mesh Panels, Glass Door Panels
Mounting Hardware Packet consisting of:

2 lintel clamps	4 slotted L brackets,
4 hex head bolts (m6 x 45mm)	2 thumb screws (m6 x 50mm)
2 sheet metal screws (12mm)	2 anchor bolts (m8 x 40mm)
2 screws (m6 x 15mm)	2 hex nuts (m6)
2 screws (m6 x 10mm)	
3. **SPECIAL TOOLS REQUIRED:** ¼" and ⅜" dia. Masonry Drill Bit, Proper Drill, Phillips head screwdriver, Flat head screwdriver, adjustable wrench.

HARDWARE ASSEMBLY AND DOOR MOUNTING:

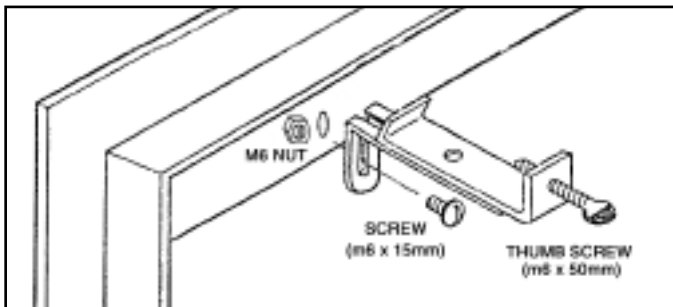
PROCEDURE TO ASSEMBLE A LINTEL CLAMP:

Assemble a lintel clamp and L bracket together as shown. Repeat for second clamp assembly.

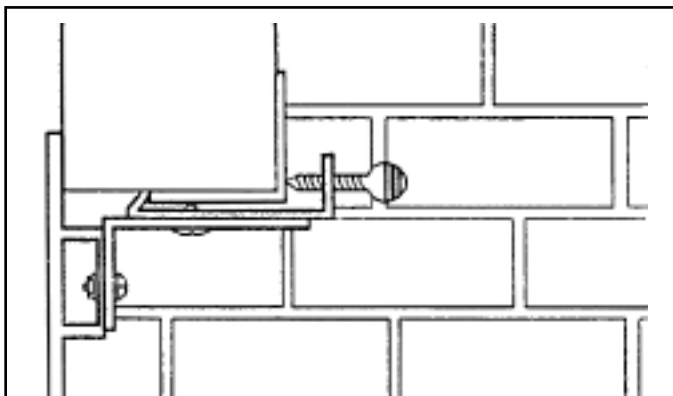


PROCEDURE FOR SECURING TOP OF FRAME WITH A LINTEL CLAMP:

STEP 1: Attach the two completed lintel clamp assemblies to enclosure frame using 2-m6 x 15mm screws and 2-m6 hex nuts as shown. Allow for slight vertical adjustment. Do not tighten yet.

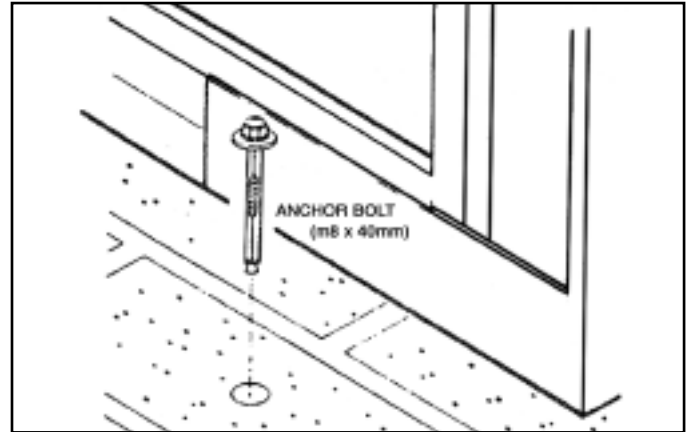


STEP 2: Slide into correct position and tighten the upper lintel clamps, using thumb screws to securely grip the metal lintel bar inside the fireplace as shown.

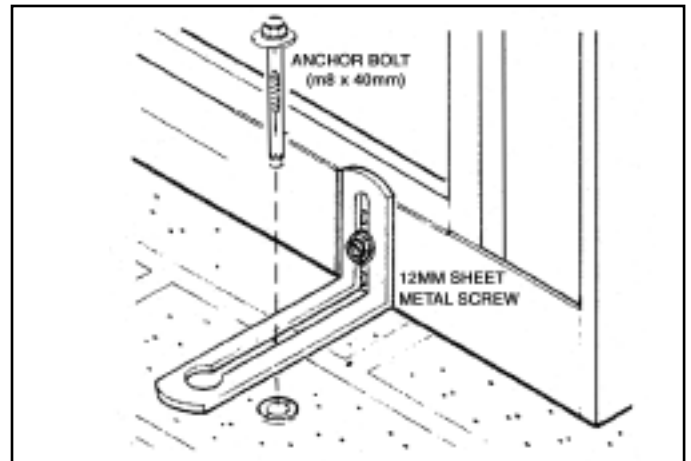


PROCEDURE FOR SECURING DOOR BOTTOM:

STEP 1: Place slotted angle bracket against the glass door as shown in Step 2. Carefully mark the location for anchor holes. Drill 2 holes using 1/4" masonry drill bit, about 1/4" deep into brick fireplace opening.



STEP 2: Align L brackets with anchor holes until they rest on the fireplace floor. Secure base by attaching the L bracket to the door with sheet metal screw and to the floor with 1/2" long anchor. Check to ensure that enclosure fits flush against fireplace face. Tighten all nuts and screws.

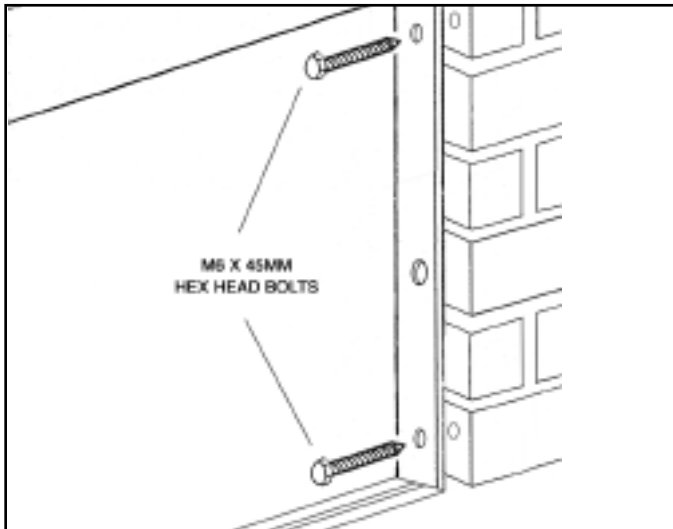


HARDWARE ASSEMBLY AND DOOR MOUNTING:

PROCEDURE FOR SECURING THE FRAME FROM THE SIDES:

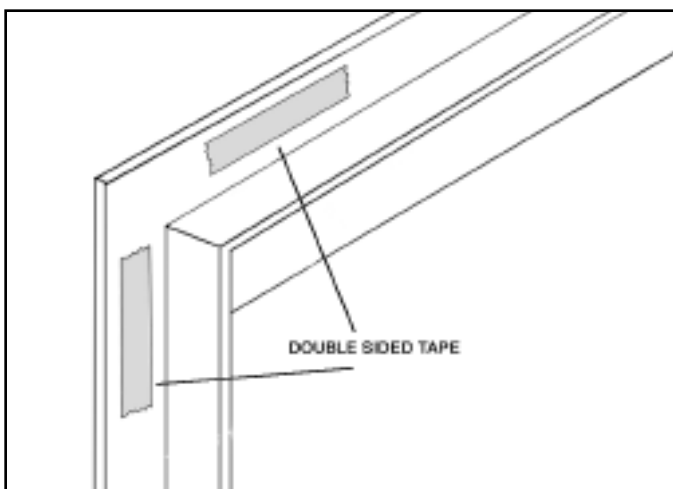
SIDE MOUNT OPTION:

If it is not possible to secure the top of the enclosure to the lintel bracket or the bottom to the fireplace floor then side mount options may be used. Place the frame in the fireplace in the correct position. Drill $\frac{3}{8}$ " dia. hole $\frac{1}{4}$ "- $\frac{3}{4}$ " deep into the masonry using the threaded hole in the frame as a guide. Center the door in the opening and tighten bolts to secure door.



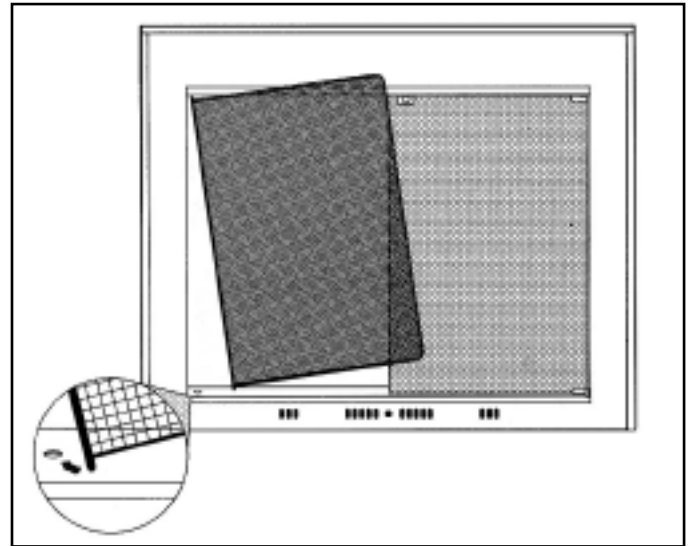
APPLYING INSULATION:

The fireplace frame comes with double sided tape already applied to the interior mounting surfaces. To apply insulation, peel tape surface and place insulation along the interior of the frame to create a tight seal.



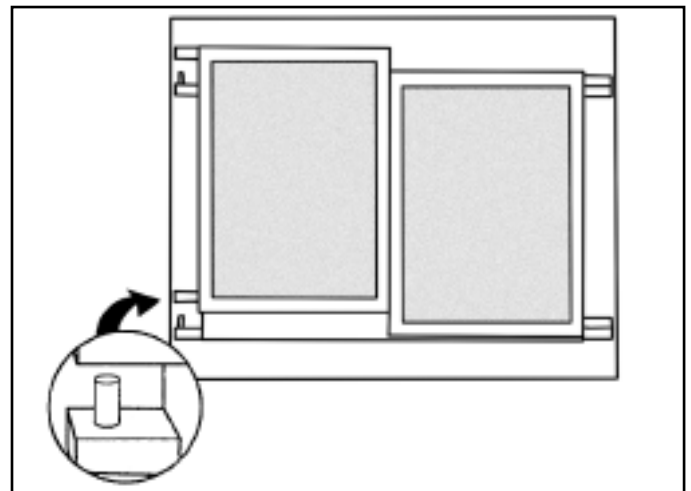
PROCEDURE FOR MOUNTING GATE STYLE MESH AND GLASS DOORS.:

1. Push top of left hand side of mesh into the back hole located at the top of the frame.
2. Tilting the mesh panel up, slide the bottom panel into the hole.
3. Repeat the steps for the right hand side of the gate mesh.



TO INSTALL GLASS DOOR PANELS:

1. Carefully hold the left hand panel of the glass and place into the front hole located at the top of the frame.
2. Tilt the glass panel upwards and holding the bottom of the glass place into the bottom hinge, as shown below, and slide the doors into place on the hinges.
3. Repeat for the right hand glass door panel.



OPERATIONAL HINTS:

MINUTEMAN Fireplace Glass Enclosures are designed to conserve energy by reducing the amount of heating room air which is lost up the chimney when your fireplace is not in use. We recommend the following operating tips to help you get the safest and most enjoyable use of your new SHAKER or MODERN SERIES Enclosure.

1. Check grate position. (Use of grate helps prevent logs or other fuels from slipping around and rolling onto the Fireplace glass window.) Position the grate about ½" from the back of the firebox and at least 3" from the glass door panel.
2. Open the chimney damper and adjust for correct draft. Chimney damper should remain open until the fire is fully extinguished.
3. Build the fire as far to the back of the fireplace as possible and not closer to the glass enclosure than 6". This will help prevent glass enclosure damage. Flames or burning logs should never be allowed to contact glass. This is the most common cause of glass breakage.
4. Do not leave the fire unattended with the glass doors or gate mesh panel open. At night close the gate mesh panels and the glass doors. This will save on heat loss from the room through the chimney.

CARE AND MAINTENANCE:

1. Clean the glass only when cool using a creosote cleaner available from your fireplace dealer. Never clean glass when hot. This may result in damage to the glass and possible injury.

MINUTEMAN FIRESCREEN LIMITED WARRANTY

MINUTEMAN warrants to you, the original retail purchaser only, your FIRESCREEN against defects in materials and workmanship for 90 days from the date of purchase from the dealer. Glass is warranted for life.

At any time during the stated period, should any part be found to be defective in materials or workmanship at the time of purchase, MINUTEMAN will repair or replace same at no cost to purchaser. However, purchaser must pay labor and transportation cost for removal and return of the firescreen or its parts to MINUTEMAN, as well as labor costs for reinstallation of repaired unit. *Proof of purchase must accompany the returned product.* If you believe the product is defective, first notify your dealer who will assist you in returning it to MINUTEMAN.



MINUTEMAN INTERNATIONAL

A Leader in Design Innovations Since 1977